

FIG. 1

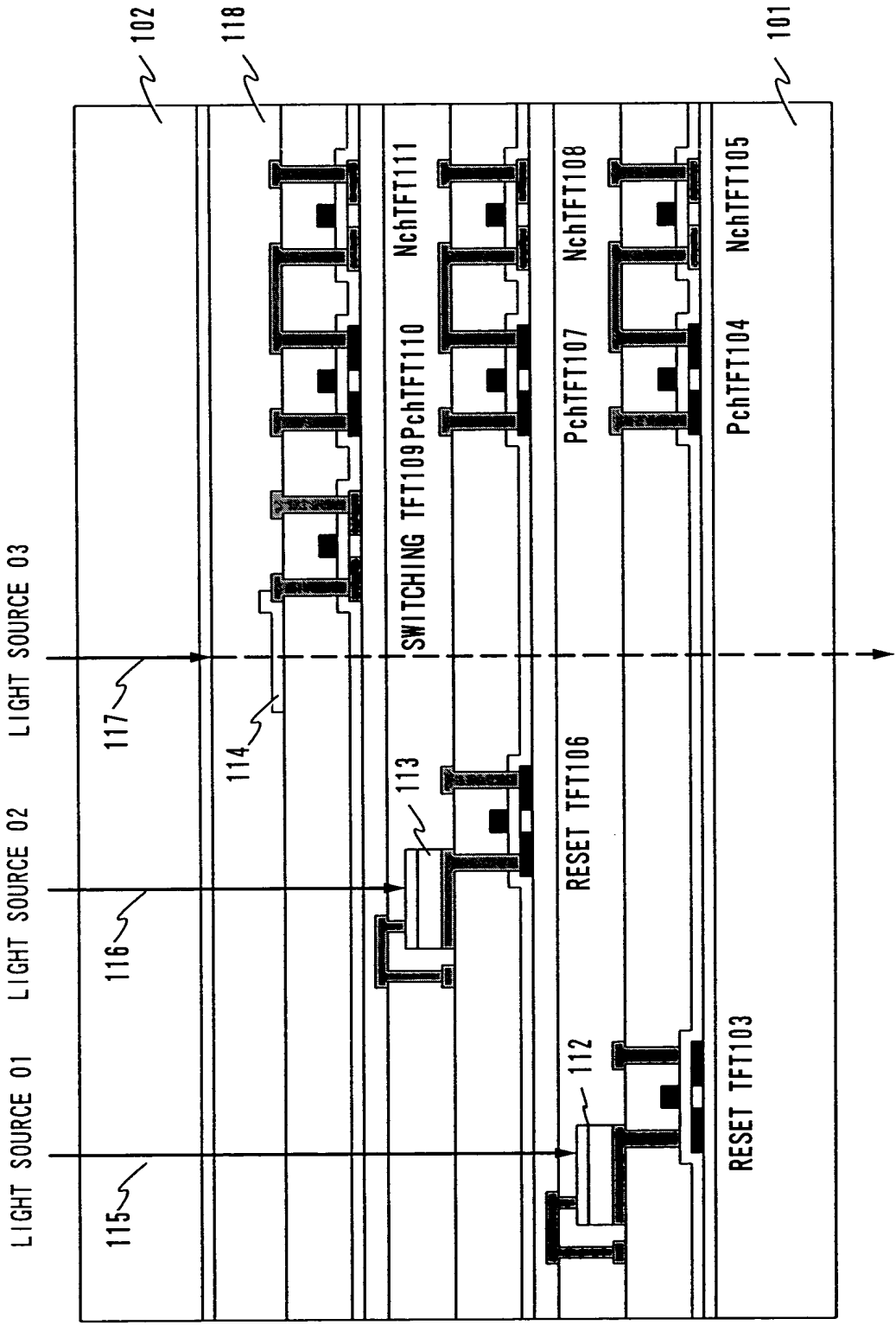


FIG. 2

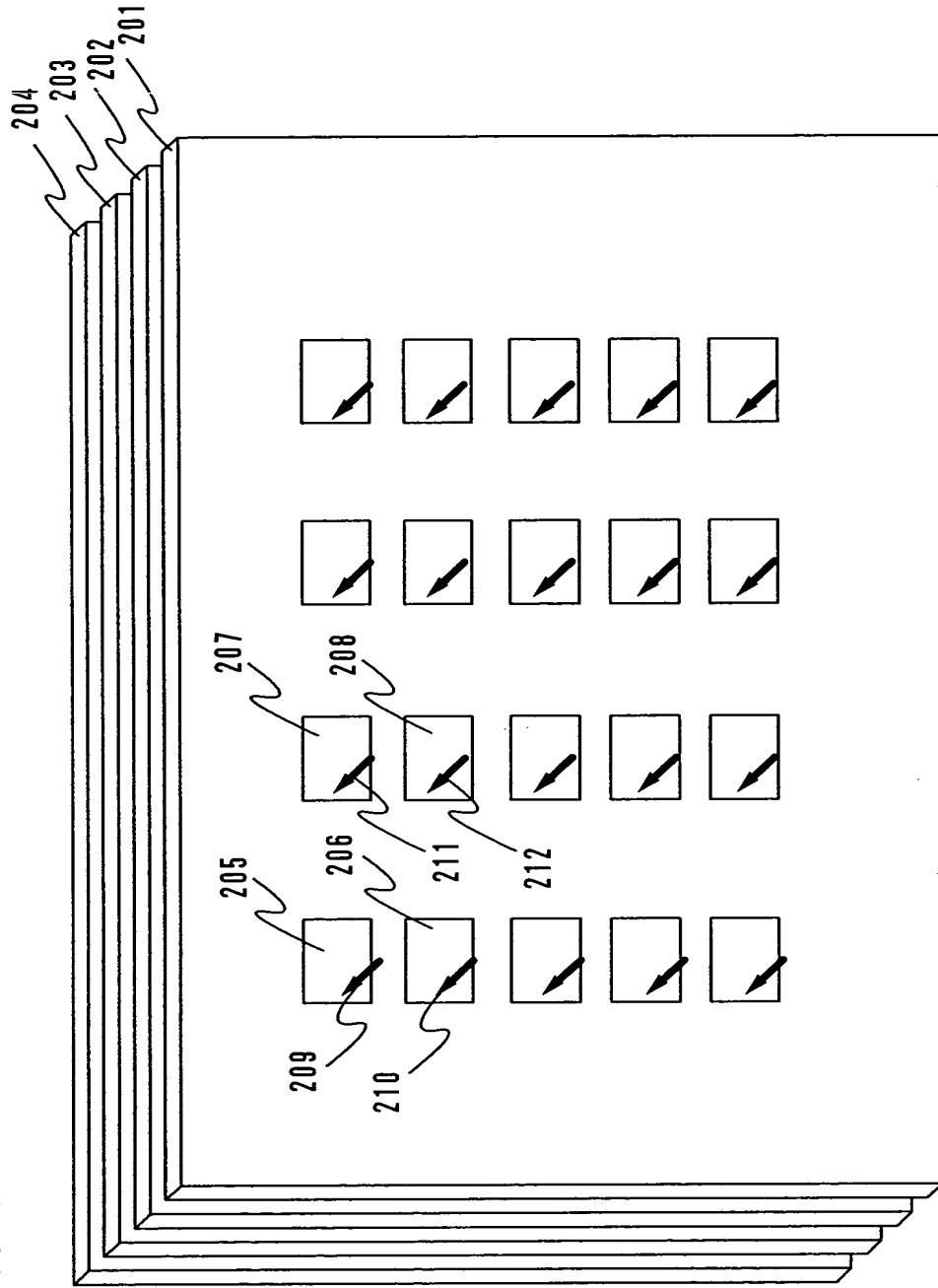


FIG. 3
PRIOR ART

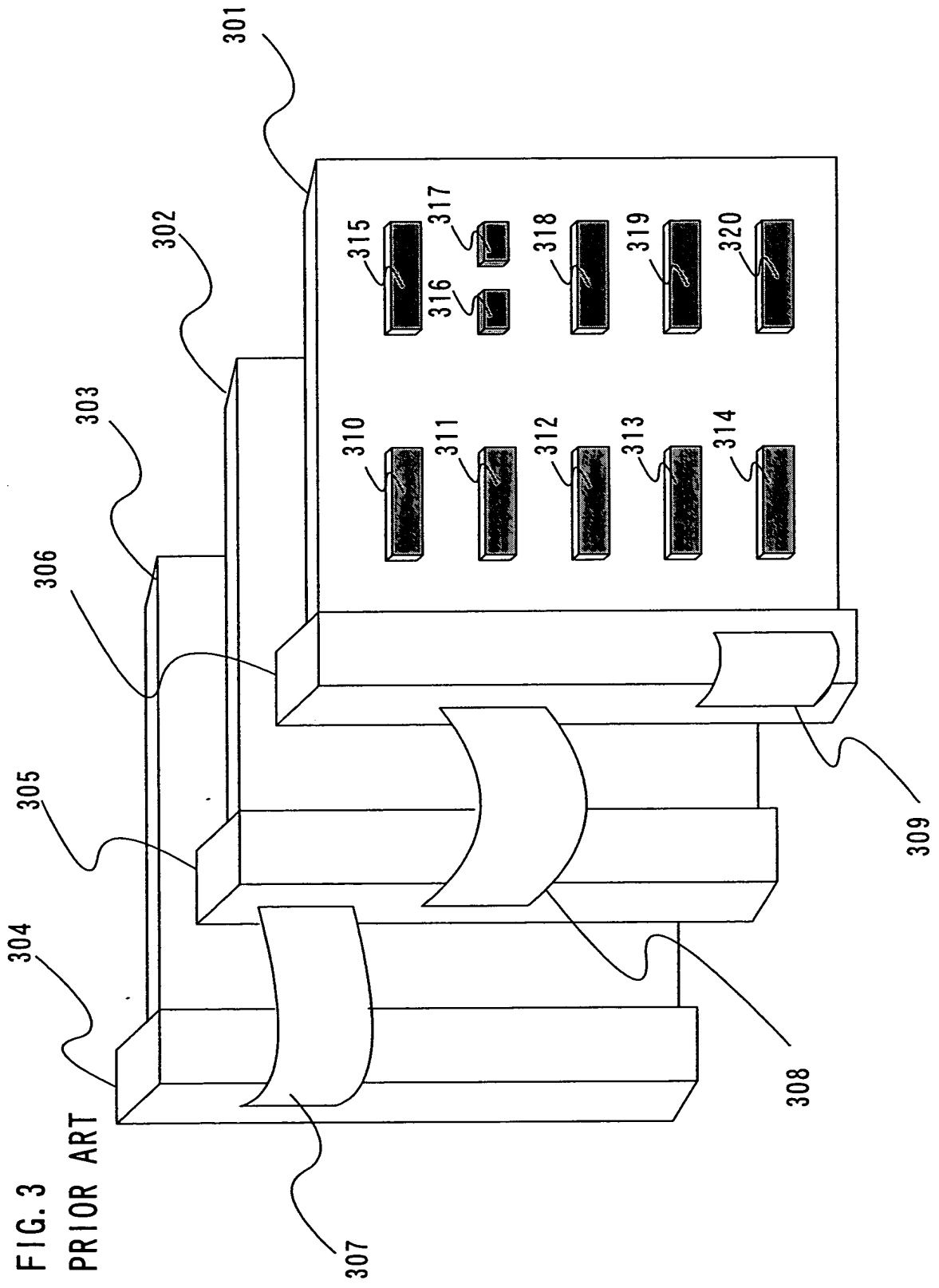


FIG. 4

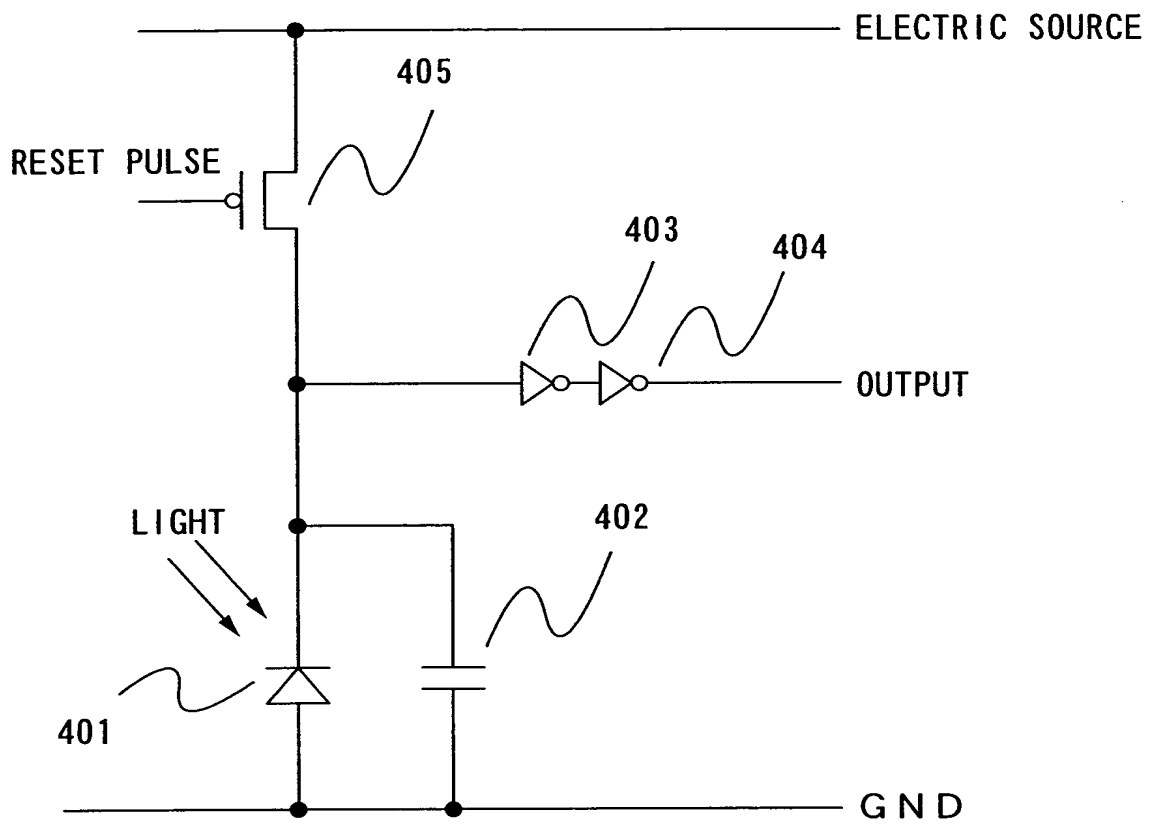
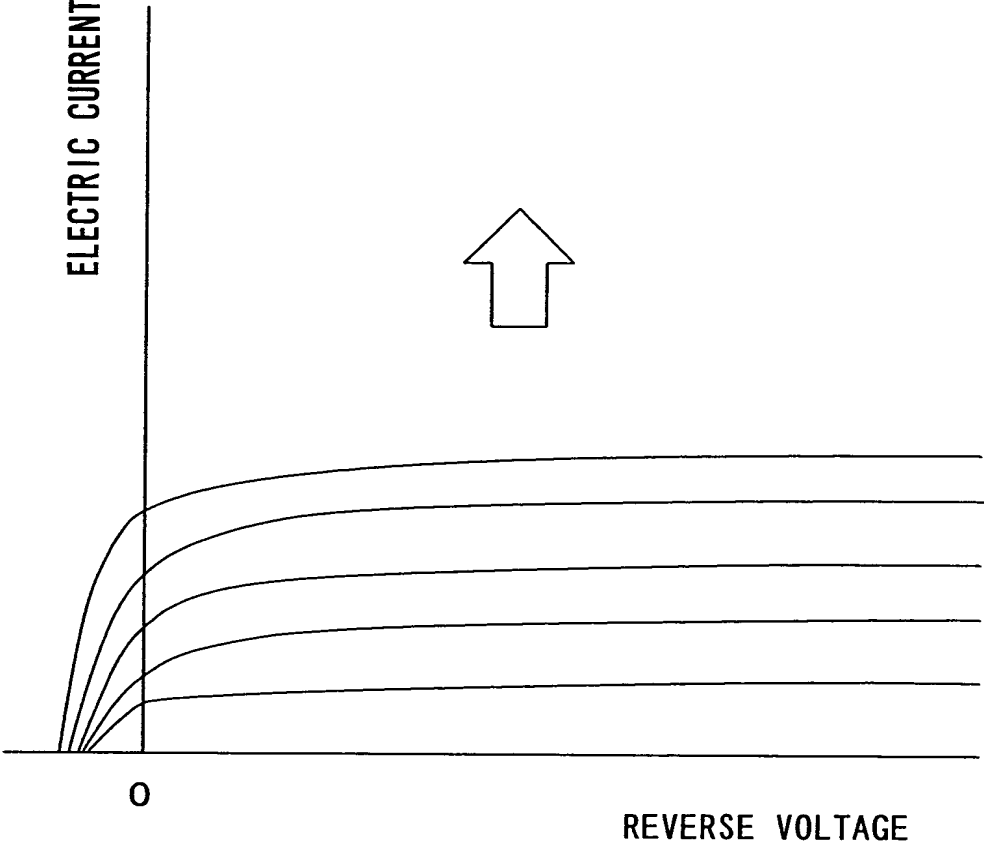
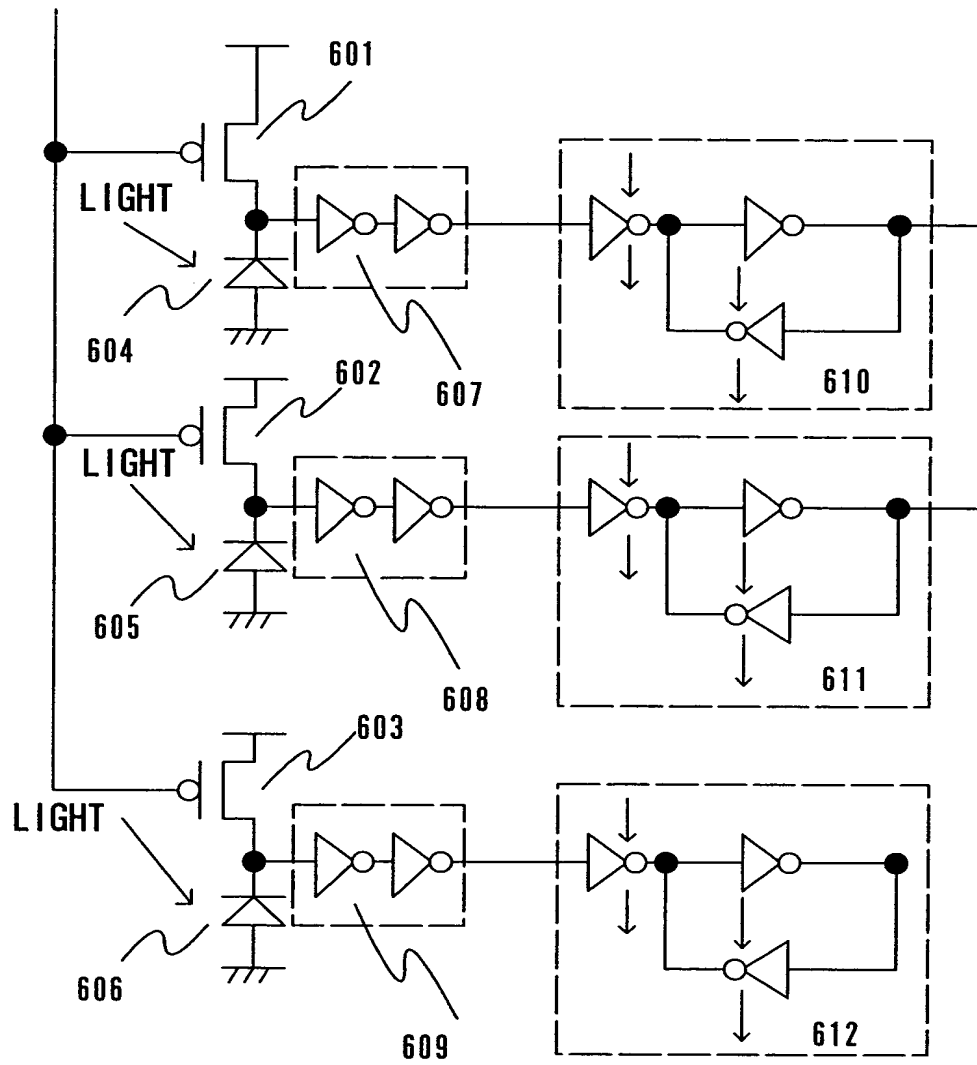


FIG. 5



**ELECTRIC CURRENT INCREASES
AS AMOUNT OF LIGHT INCREASES**

FIG.6



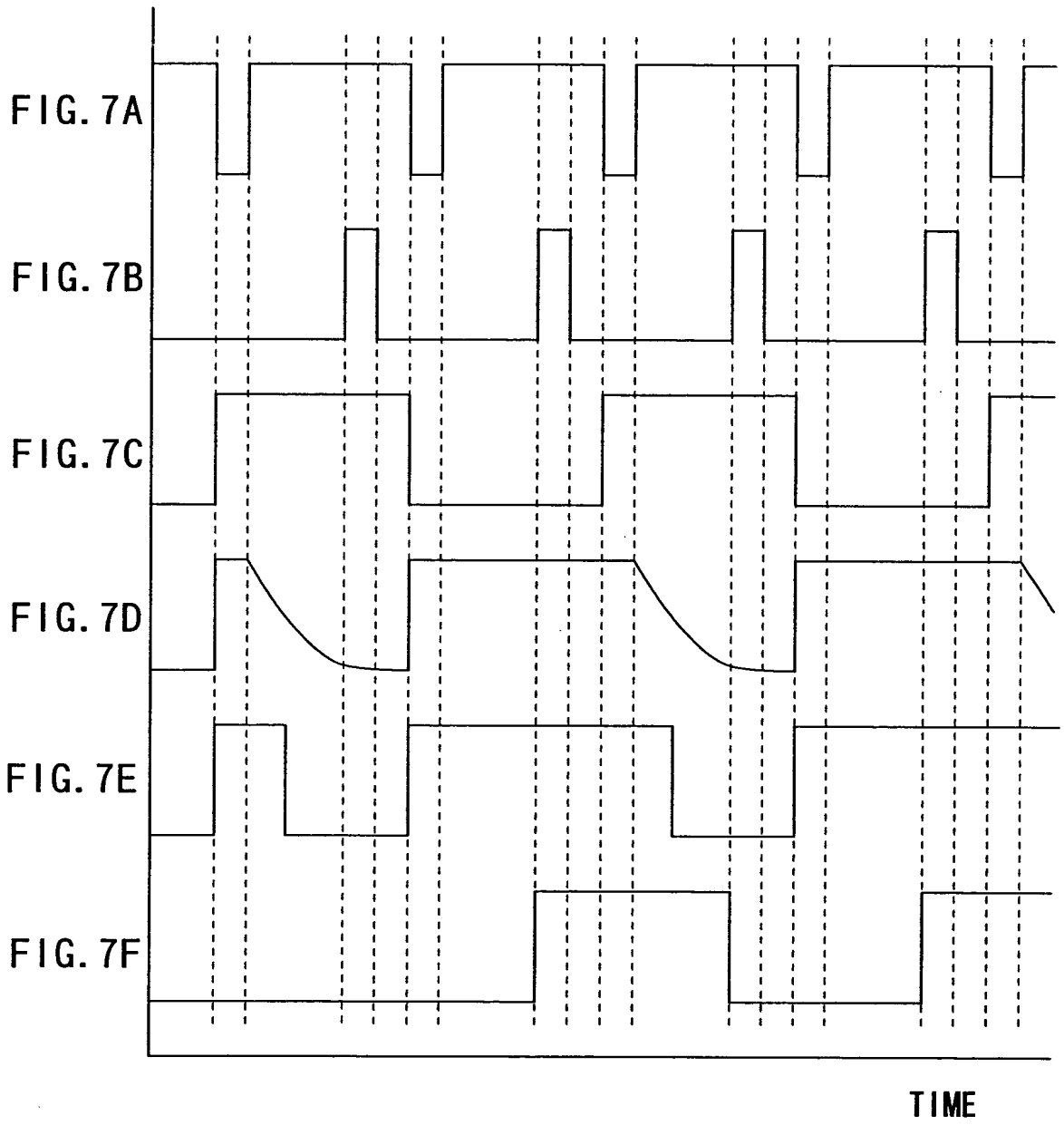


FIG. 8

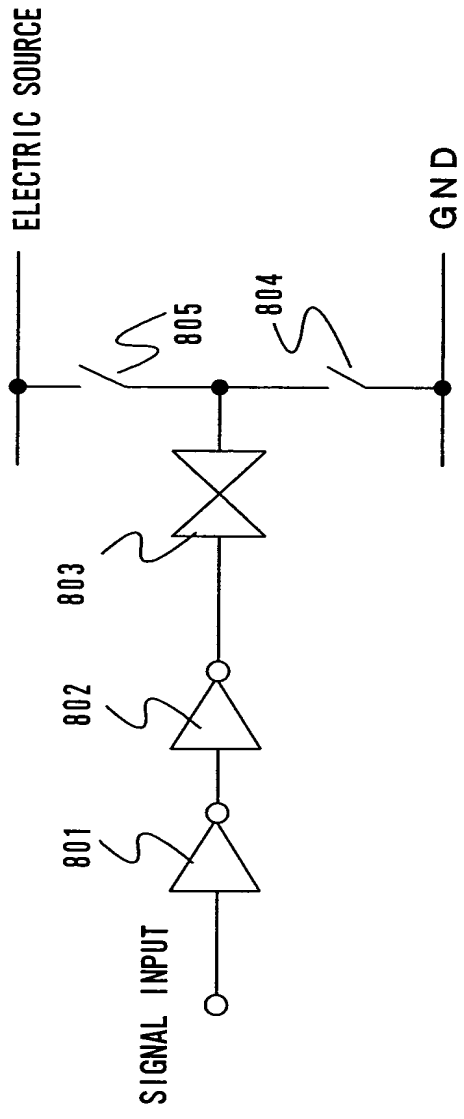


FIG. 9

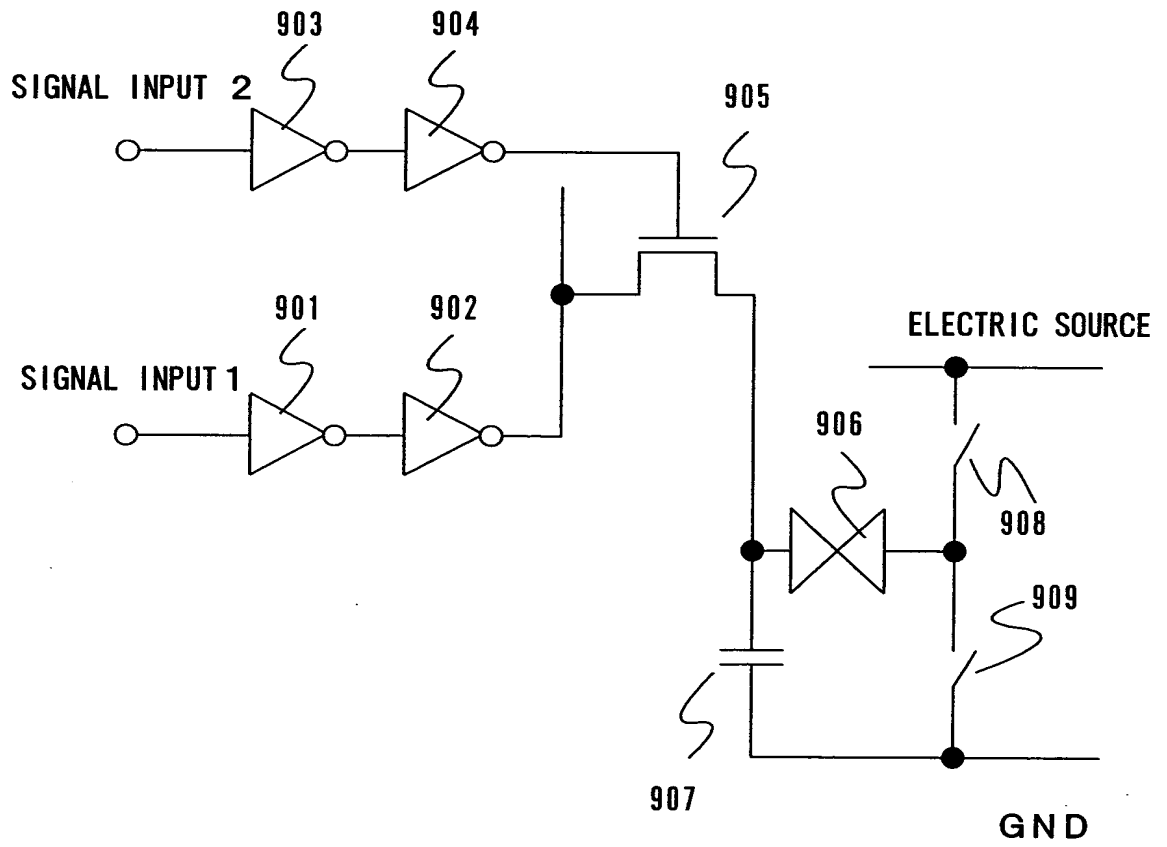


FIG. 10

